

Foot Stool with Handrail

Item#: 539-1902-0099

Note: If any parts are missing, do not return to the place of purchase. Contact us at 800-622-4714.

Tools Needed For Installation:

Phillips screwdriver. Wrench is included.

Assembly Instructions

1. In the upright position, crisscross and overlap the Leg Assemblies (A) and (B) so the flattened areas of the tubing are flush at the center. The Leg Assembly (B) labeled (2) and (4) should be on top. **IMPORTANT:** Be sure the leg ends labeled (1) and (2) are positioned on the left while facing, as shown in Fig. 1. These leg ends have holes for mounting the handrail.

Next, Insert the 1-3/8" Base Screw (C) through a Washer (F) and place through both Leg Assemblies from underneath, and secure with a Nylon Insert Lock Nut (D) as shown in Fig. 1. Using a phillips head screwdriver, tighten the screw by turning clockwise with the supplied wrench secured on the lock nut. **DO NOT OVER TIGHTEN AS IT COULD STRIP THE THREADS.**

2. Place the Foot Stool Base (E) upside down on a flat surface with the screw holes facing up. With the assembled legs upside down, align the holes in the legs with the threaded sockets in the Foot Stool Base (E) next to the corresponding numbers, as shown in Fig. 2. Insert a 1-3/8" Leg Assembly Screw (C) through a Washer (F) and place into each hole of the leg tubing.

NOTE: The convex side of the washer should be closest to the screw head. The concave side of the washer forms to curve on tubing section. Using a phillips head screwdriver, loosely install each of the screws by turning clockwise. Tightening the screws will be in final step.

3. Attach the Handrail (G) to the assembled foot stool by aligning the four holes in the handrail tubing with the four holes on the two legs of the assembled foot stool as shown in Fig. 3. Insert a 2-11/32" Handrail Screw (H) through a Washer (F) and through the leg section. On the back side, add another Washer (F) and secure with a Nylon Insert Lock Nut (D). Repeat this procedure for the remaining three holes. Using a phillips head screwdriver, tighten each screw by turning clockwise with the supplied wrench secured on the lock nut.
4. Go back and tighten all screws and nuts.
DO NOT OVER TIGHTEN AS IT COULD STRIP THE THREADS.

WARNING

WARNING: HealthSmart® International assumes no responsibility for any damage or injury caused by improper assembly or use of this product.

Make sure all screws and nuts are tightened securely. For your safety, all rubber feet of foot stool **MUST** be on a flat surface at all times during use. Failure to do so can cause serious injury.

To help prevent falls and serious injury, persons should hold onto the handrail whenever possible and keep feet flat and evenly spaced on the foot stool base. Avoid overreaching at all times during use.

Do not exceed the maximum weight capacity of 300 lbs.

Do not continue to use this product if any of the components are missing or damaged.

WARNING: This product can expose you to chemicals including Diisonoyl Phthalate (DINP) which is known to the State of California to cause cancer, and Di(2-ethylhexyl) phthalate (DEHP) which is known to the State of California to cause cancer and birth defects or other reproductive harm. For more information, go to www.P65warnings.ca.gov.

LATEX THIS PRODUCT CONTAINS DRY NATURAL RUBBER

Manufactured for: HealthSmart® International • 1931 Norman Drive • Waukegan, IL 60085 USA • Made in China • #910-1902-0099 06/20 • ©2020 HealthSmart® International

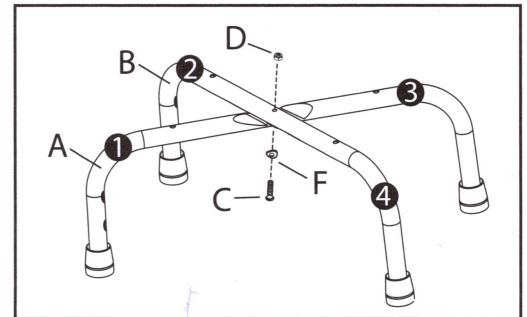


Fig. 1

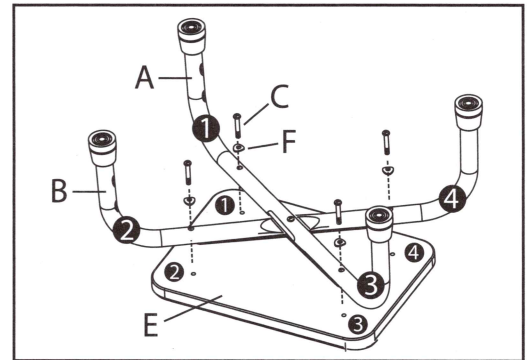


Fig. 2

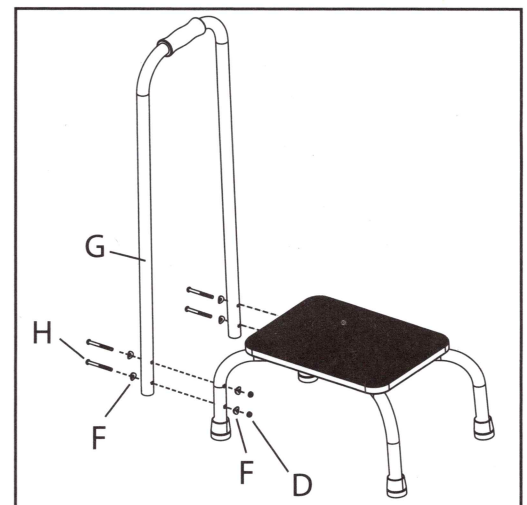


Fig. 3

Weight Capacity: 300 lbs.

Components List

- A - Leg Assembly (labeled 1&3)
- B - Leg Assembly (labeled 2&4)
- C - Base / Leg Assembly Screw 1-3/8" (5)
- D - Nylon Insert Lock Nut (5)
- E - Foot Stool Base
- F - Washers (13)
- G - Handrail
- H - Handrail Screw 2-11/32" (4)